

### KNIFE DIMENSIONS

SAMPLE SIZE	UPPER KNIFE "A"	LOWER KNIFE "B"	Dimension "C"	Upper Knife Length	Lower Knife Length
3"	1.000 (2.540)	2.000 (5.080)	.500 (1.270)	2.375 (6.033)	1.625 (4.127)
4"	1.250 (3.175)	2.500 (6.350)	.625 (1.588)	4.000 (10.160)	2.500 (6.350)
5"	1.500 (3.810)	3.000 (7.620)	.750 (1.905)	4.188 (10.638)	3.125 (7.938)
6"	1.800 (4.572)	4.000 (10.160)	1.100 (2.794)	7.100 (18.034)	3.600 (9.144)
8"	2.000 (5.080)	5.000 (12.700)	1.500 (3.810)	7.100 (18.034)	5.250 (13.335)

Note: Dimensions are in inches. Dimensions in ( ) are centimeters.  
 All knife lengths are front to rear with 1.100 (2.794) gap in the center.

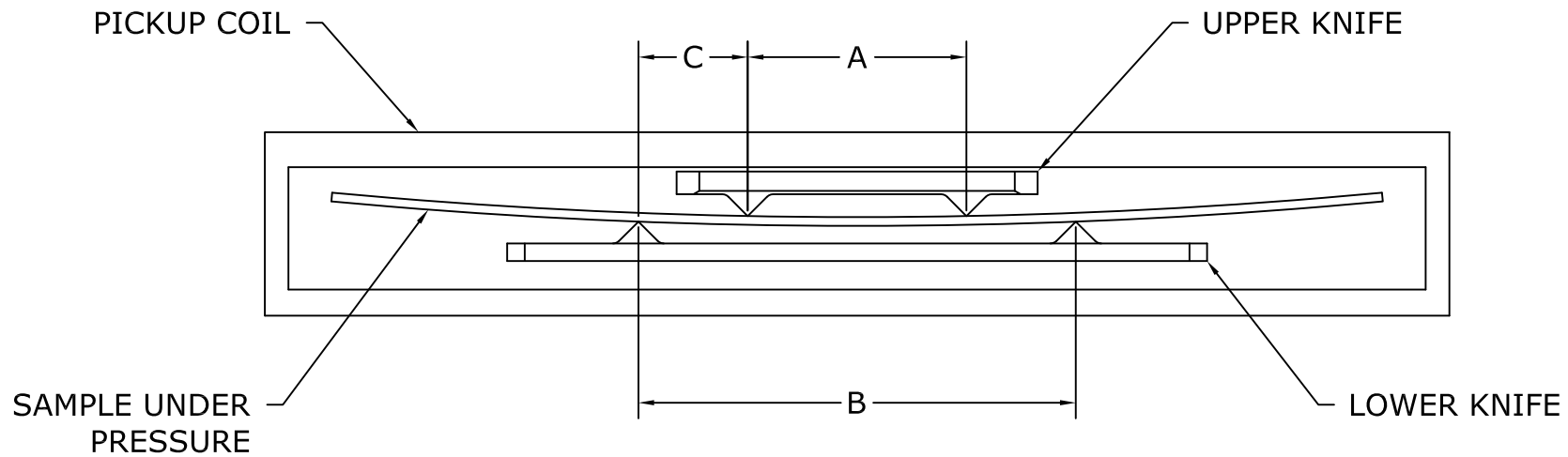


Figure 9 (Rev C)